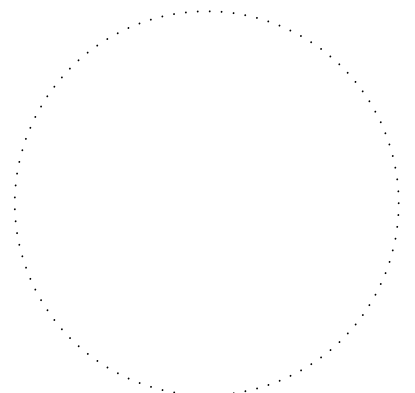


01 ARCHITECTURAL SITE PLAN
SCALE: 1/16" = 1'-0"

CONSULTANT:



**IOWA DEPARTMENT OF
NATURAL RESOURCES**
ENGINEERING SERVICES - WALLACE BUILDING
502 E. 9TH ST., DES MOINES, IA 50319-0034
P: 515.725.8200
F: 515.725.8202



ARCHITECTURAL SITE PLAN
CAMPGROUND RENOVATION AND ENTRANCE PORTAL FOR
LEDGES STATE PARK

1515 P AVENUE
MADRID, IA 50156

NO.	BY DATE	REVISION

DRAWN BY: PROJECT NUMBER:
17-02-08-02
CHK'D BY: DATE:
10.25.2017

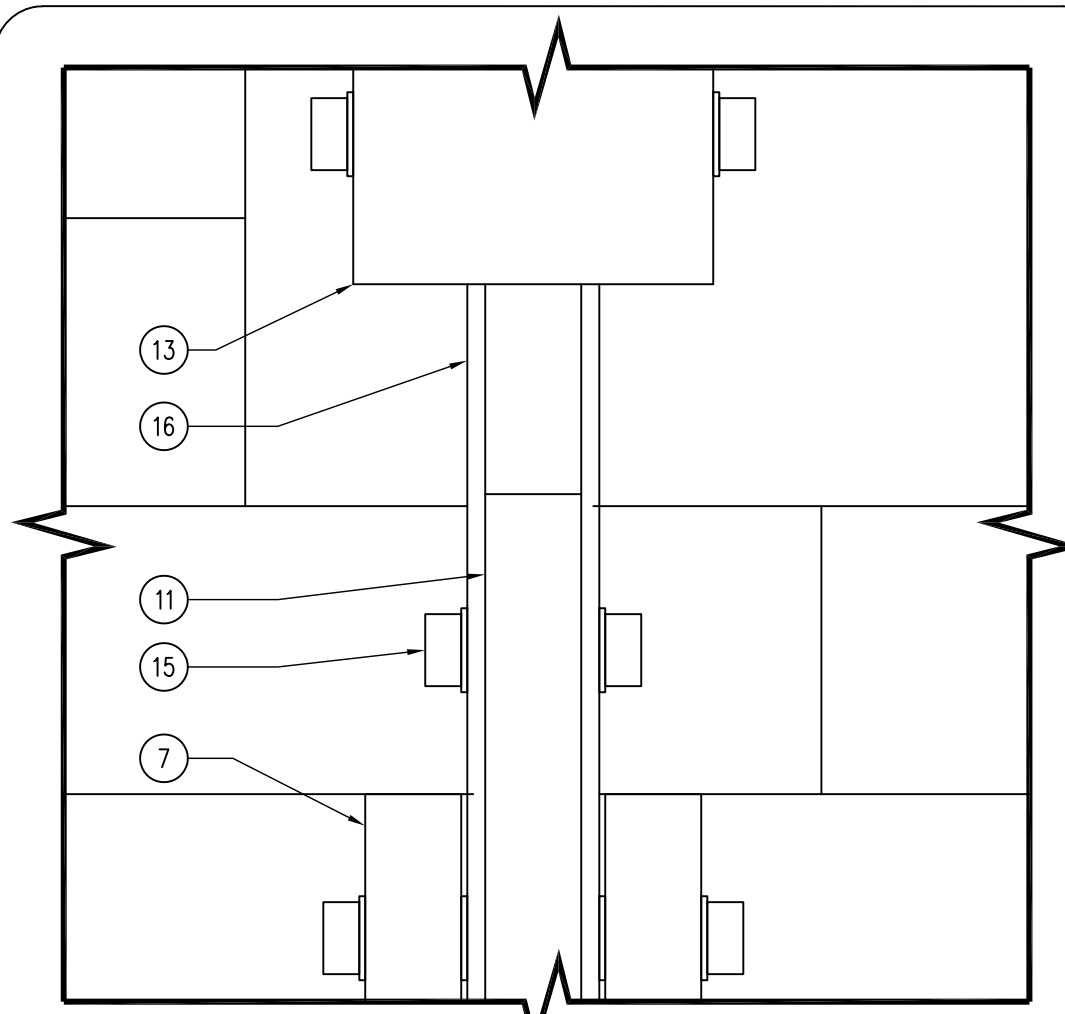
SHEET No:
K.03

KEYNOTES

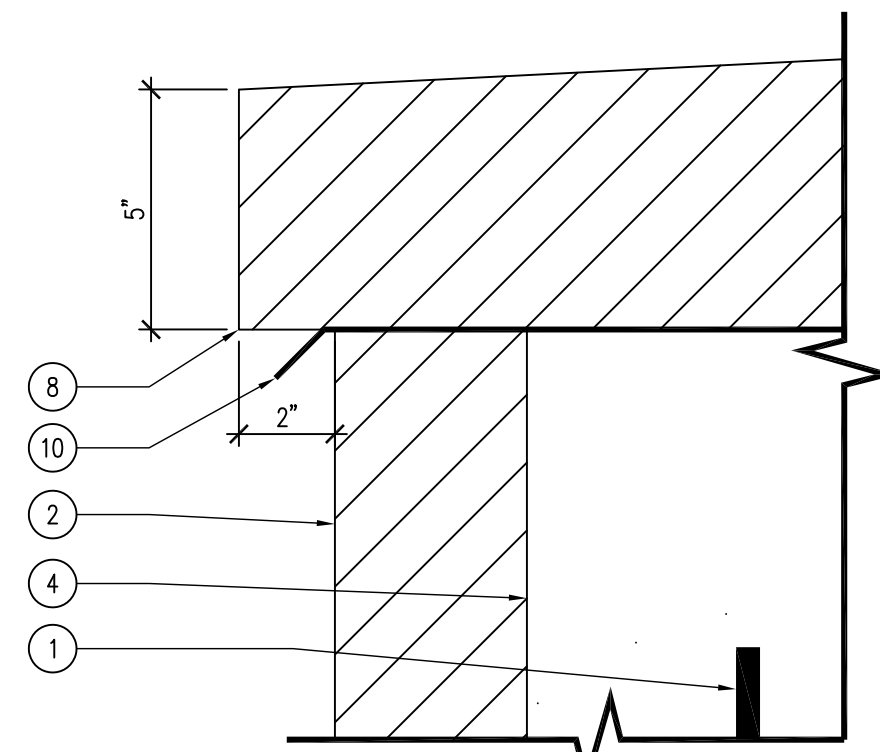
1. PROPOSED ENTRY PORTAL, PLACE PERPENDICULAR TO STATE PARK ROADWAY, AS SHOWN. REFER TO SHEET A-100, SLOPE SURROUNDING GRADE TO DRAIN AWAY FROM PORTAL.
2. EXISTING ENTRY PORTAL MOUND AND STONES TO REMAIN.
3. EXISTING CHECK-IN GATEHOUSE TO REMAIN.
4. EXISTING TRANSFORMER TO REMAIN.
5. EXISTING ELECTRIC LINE TO REMAIN.
6. EXISTING SANITARY LINE TO REMAIN.
7. EXISTING WATER LINE TO REMAIN.
8. EXISTING ROADWAY TO REMAIN.
9. EXISTING ELECTRIC POLES TO REMAIN.

GENERAL NOTES

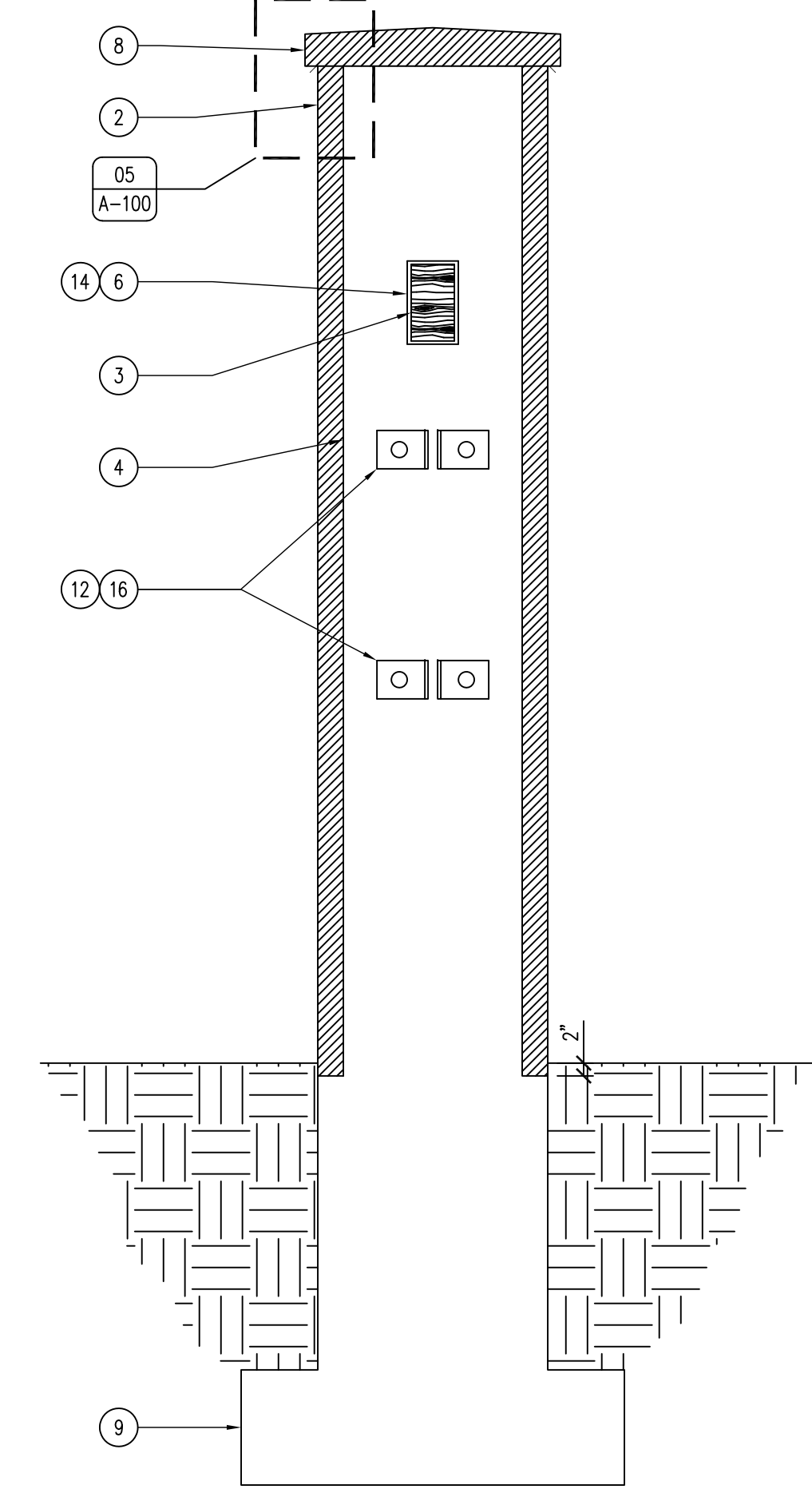
- A. ALL ELECTRICAL SHALL BE NEC CODE COMPLIANT AND ALL CODES AND ORDINANCES SHALL BE FOLLOWED WHICH ARE REQUIRED BY LAW.
- B. STOCKPILE EXTRA DIRT WITHIN RESORT IN LOCATION DETERMINED BY DNR INSPECTOR.
- C. FIELD VERIFY ALL DIMENSIONS PRIOR TO CONSTRUCTION.
- D. ALL FASTENERS, BRICK TIES AND ANCHORS TO BE STAINLESS STEEL. ALL DECORATIVE STEEL CAPS AND STRAPS TO BE POWDER COATED BLACK.
- E. ALL FLASHING TO BE 160Z COPPER.
- F. USE WEEP ROPE AT ALL NECESSARY LOCATIONS.
- G. ALL WOOD PRODUCTS TO RECEIVE TWO COATS OF TWP 100 SERIES STAIN.
- H. SUBMIT SHOP DRAWINGS ON STONE LAYOUT, REBAR LAYOUT, LIMESTONE CAPS, LAMINATED WOOD BEAM, STEEL STRAPPING AND ACCESSORIES AND SIGN BACKER.
- I. USE TYPE "N" MORTAR (ASTM C270) ON ALL MASONRY MORTAR JOINTS.



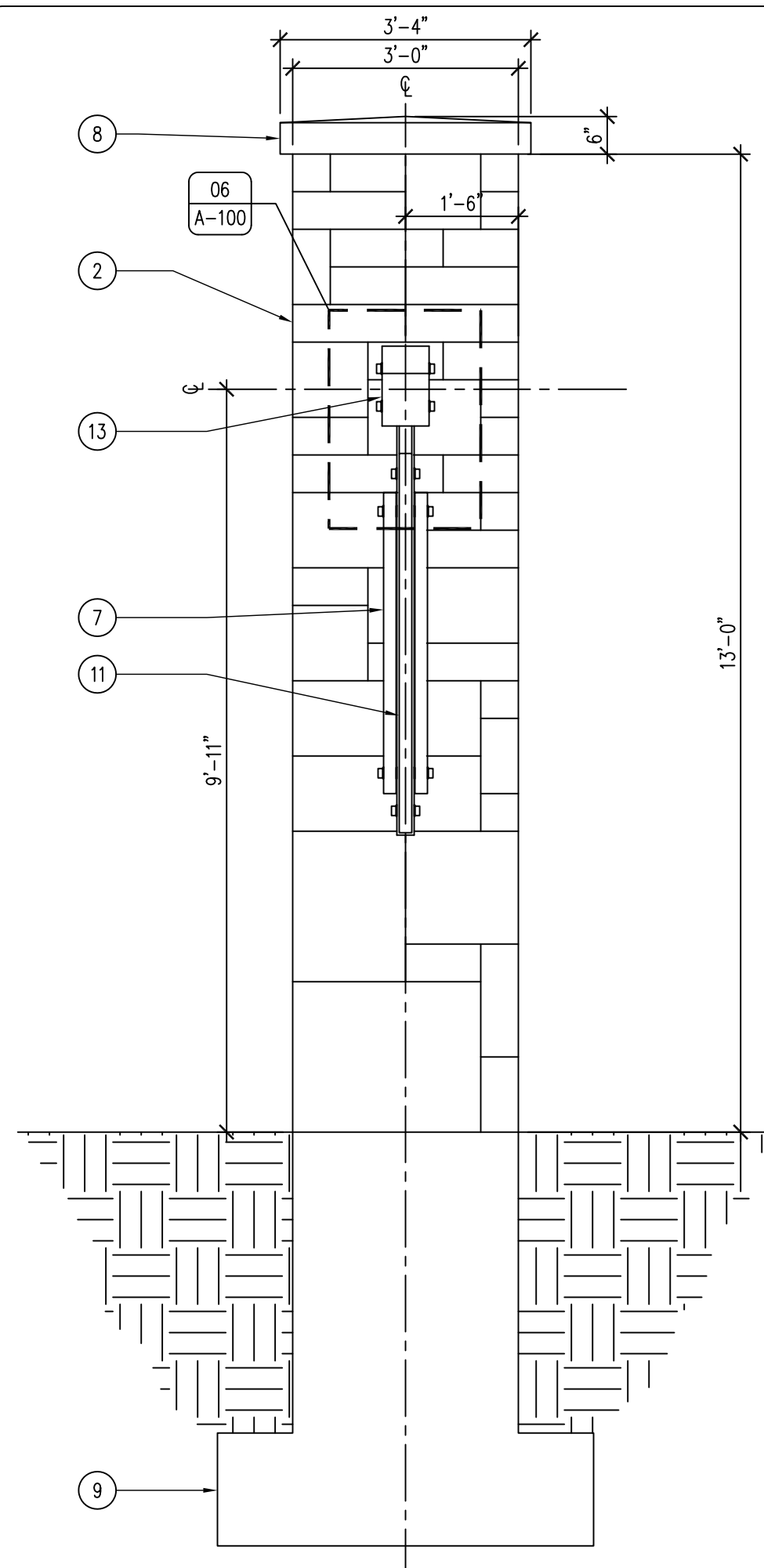
06 ENTRANCE PORTAL - DETAIL
SCALE: 3" = 1'-0"



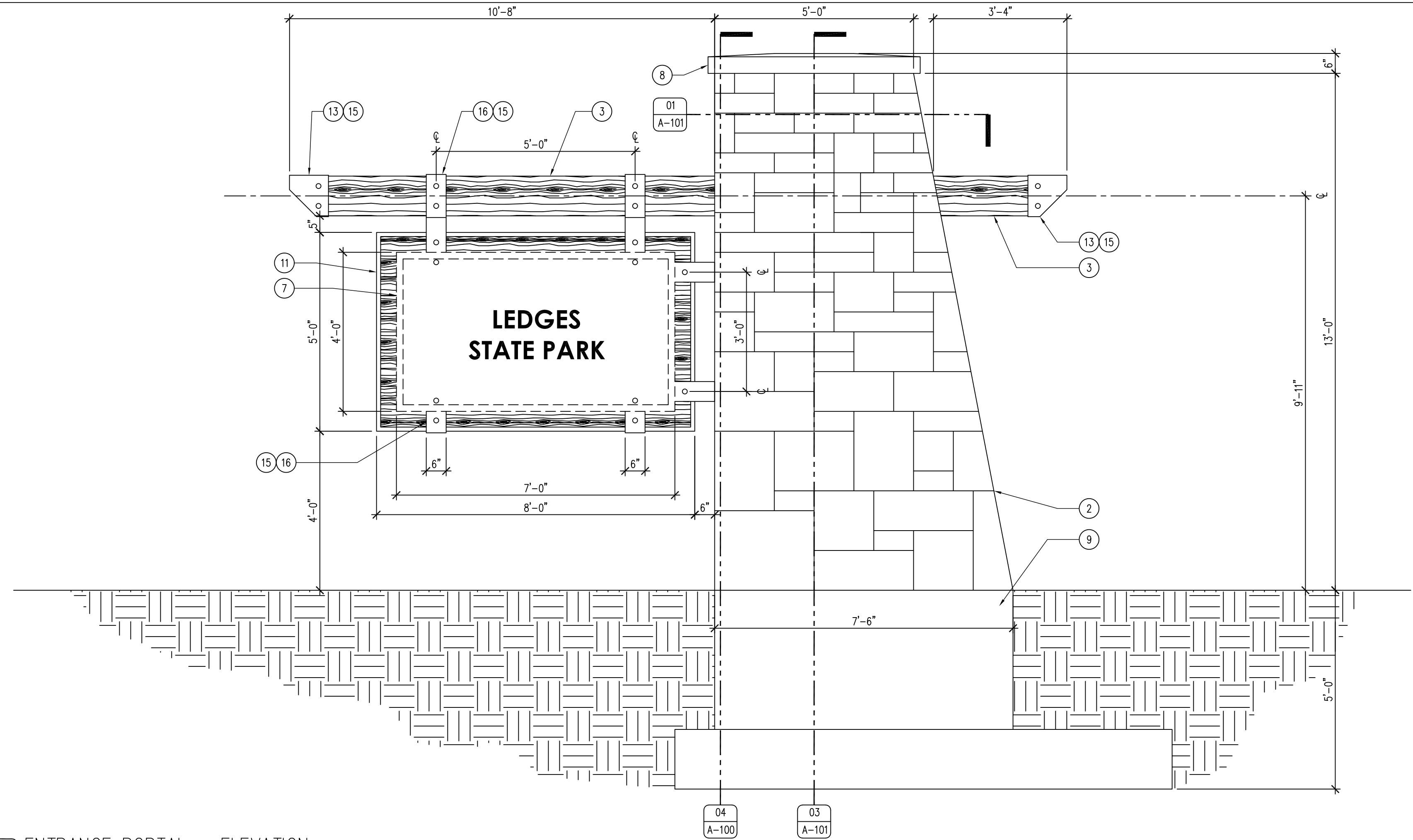
05 ENTRANCE PORTAL - DETAIL
SCALE: 3" = 1'-0"



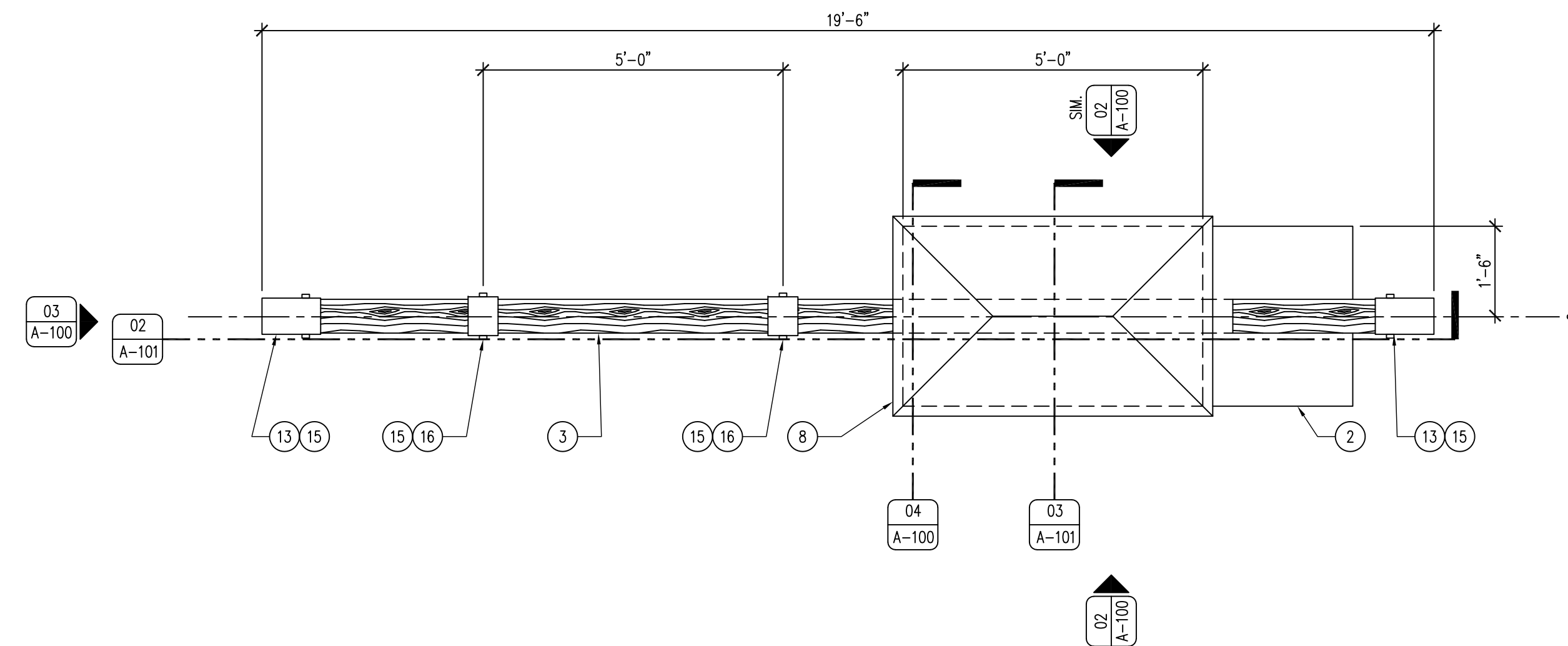
04 ENTRANCE PORTAL - SECTION
SCALE: 1/2" = 1'-0"



03 ENTRANCE PORTAL - ELEVATION
SCALE: 1/2" = 1'-0"



02 ENTRANCE PORTAL - ELEVATION
SCALE: 1/2" = 1'-0"



01 ENTRANCE PORTAL - REFERENCE PLAN
SCALE: 1/2" = 1'-0"

KEYNOTES

1. #4 REBAR 24" O.C. ALL DIRECTIONS.
2. 3" - 6" THICK FULL VENEER, SOLID GRANITE BOULDERS BY EDEN STONE, ROUNDED SIDE OUT WITH ASTM 270 MORTAR, WHITE BASE - COLOR TBD. DIMENSIONS AND SHAPE SHOULD VARY BETWEEN 6" - 24" IN DIAMETER. PATTERNING SHOWN FOR DEMONSTRATION PURPOSES ONLY, REFER TO PATTERN SWATCH SHEET A-002, FOR MORE INFORMATION. ALL ANCHORS AND FASTENERS TO BE STAINLESS STEEL LOCATE AS REQUIRED. LOCATE WEEP HOLES/ROPES WHERE REQUIRED.
3. 6 3/4" X 12" EXTERIOR GRADE LAMINATED BEAM WITH 2 COATS TWP 100 SERIES STAIN FINISH, COLOR TBD. MATCH BEAM DEPTH DIMENSION AS SHOWN.
4. CAST IN PLACE SOLID CONCRETE WALL BACKER MONUMENT.
5. 3/8" STAINLESS STEEL THREADED PIN BOLT, PLACE INTO FEMALE THREADED ENDS.
6. 3/4" THICK STAINLESS STEEL BEAM RECEIVER SLEEVE, WITH FEMALE THREADED ENDS, AS SHOWN, CAST INTO CONCRETE MONUMENT.
7. 2" SIGN-FOAM STATE PARK SIGN, SUPPLIED BY OWNER, CONTRACTOR INSTALLED WITH 3/8" STAINLESS STEEL CARRIAGE BOLTS, NUTS AND FLAT STAINLESS WASHERS WHERE NECESSARY.
8. MONOLITHIC SELECT GRADE, GRAY INDIANA LIMESTONE CAP, DIMENSIONS AS SHOWN, WITH CONTINUOUS PERIMETER COPPER DRIP EDGE, SUBMIT SHOP DRAWINGS FOR APPROVAL.
9. CAST-IN-PLACE CONCRETE FOUNDATION.
10. COPPER FLASHING WHERE NECESSARY.

11. 2X T&G CEDAR DECKING, STAIN TO MATCH LAMINATED BEAM, TWO COATS TWP 100 SERIES. TRIM OUT WITH, 3/4" THICK X 1" EDGE, STEEL FRAMING AROUND ENTIRE PERIMETER OF WOOD. DRILL WEEP HOLES EVERY 12" IN BOTTOM, POWDER COAT BLACK.
12. 3/4" X 8" STAINLESS STEEL ANCHOR BOLTS.
13. 3/4" X 8" STEEL BEAM COVER AS SHOWN, POWDER COAT BLACK.
14. CONTINUOUS BACKER MATERIAL AND POLYURETHANE SEALANT, MATCH MORTAR COLOR.
15. 3/8" STAINLESS STEEL CARRIAGE BOLTS, NUTS AND LOCK WASHERS, DO NOT PAINT.
16. 3/8" STEEL STRAPPING/SIGN SUPPORT, POWDER COAT BLACK.

GENERAL NOTES

- A. ALL ELECTRICAL SHALL BE NEC CODE COMPLIANT AND ALL CODES AND ORDINANCES SHALL BE FOLLOWED WHICH ARE REQUIRED BY LAW.
- B. STOCKPILE SPOIL DIRT WITHIN PARK, LOCATION DETERMINED BY DNR INSPECTOR.
- C. FIELD VERIFY ALL DIMENSIONS PRIOR TO CONSTRUCTION.
- D. ALL FASTENERS, BRICK TIES AND ANCHORS TO BE STAINLESS STEEL. ALL DECORATIVE STEEL CAPS AND STRAPS TO BE POWDER COATED BLACK.
- E. ALL FLASHING TO BE 160Z COPPER.
- F. USE WEEP ROPE AT ALL NECESSARY LOCATIONS.
- G. ALL WOOD PRODUCTS TO RECEIVE TWO COATS OF TWP 100 SERIES STAIN.
- H. SUBMIT SHOP DRAWINGS ON STONE LAYOUT, REBAR LAYOUT, LIMESTONE CAPS, LAMINATED WOOD BEAM, STEEL STRAPPING AND ACCESSORIES AND SIGN BACKER.
- I. USE TYPE "N" MORTAR (ASTM C270) ON ALL MASONRY MORTAR JOINTS.

CONSULTANT:

IOWA DEPARTMENT OF
NATURAL RESOURCES
ENGINEERING SERVICES - WALLACE BUILDING
502 E. 9TH ST., DES MOINES, IA 50319-0034
P: 515.725.8200
F: 515.725.8202



PORTAL PLAN & ELEVATIONS

CAMPGROUND RENOVATION AND ENTRANCE PORTAL FOR
LEDGES STATE PARK

MADRID, IA 50156

1515 P AVENUE

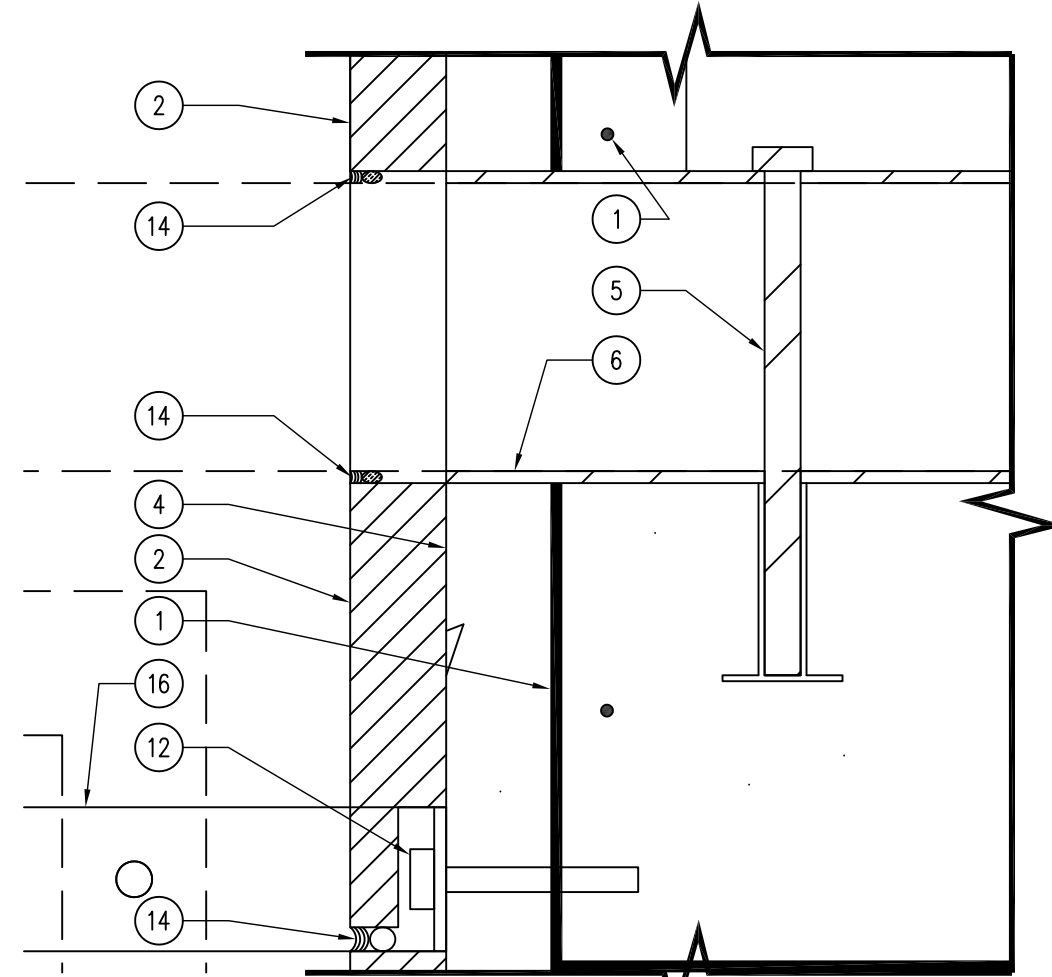
NO.	BY	DATE	REVISION

DRAWN BY: PROJECT NUMBER:
DATE: 17-02-08-02

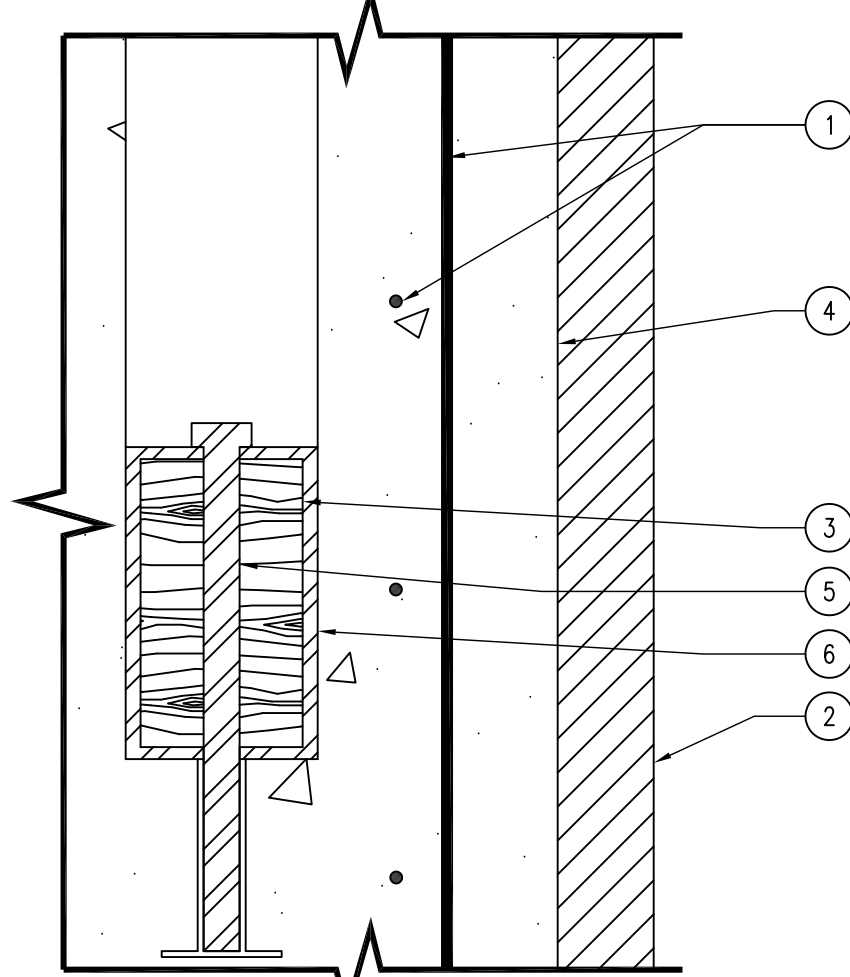
CHK'D BY: DATE:
10.25.2017

SHEET NO:

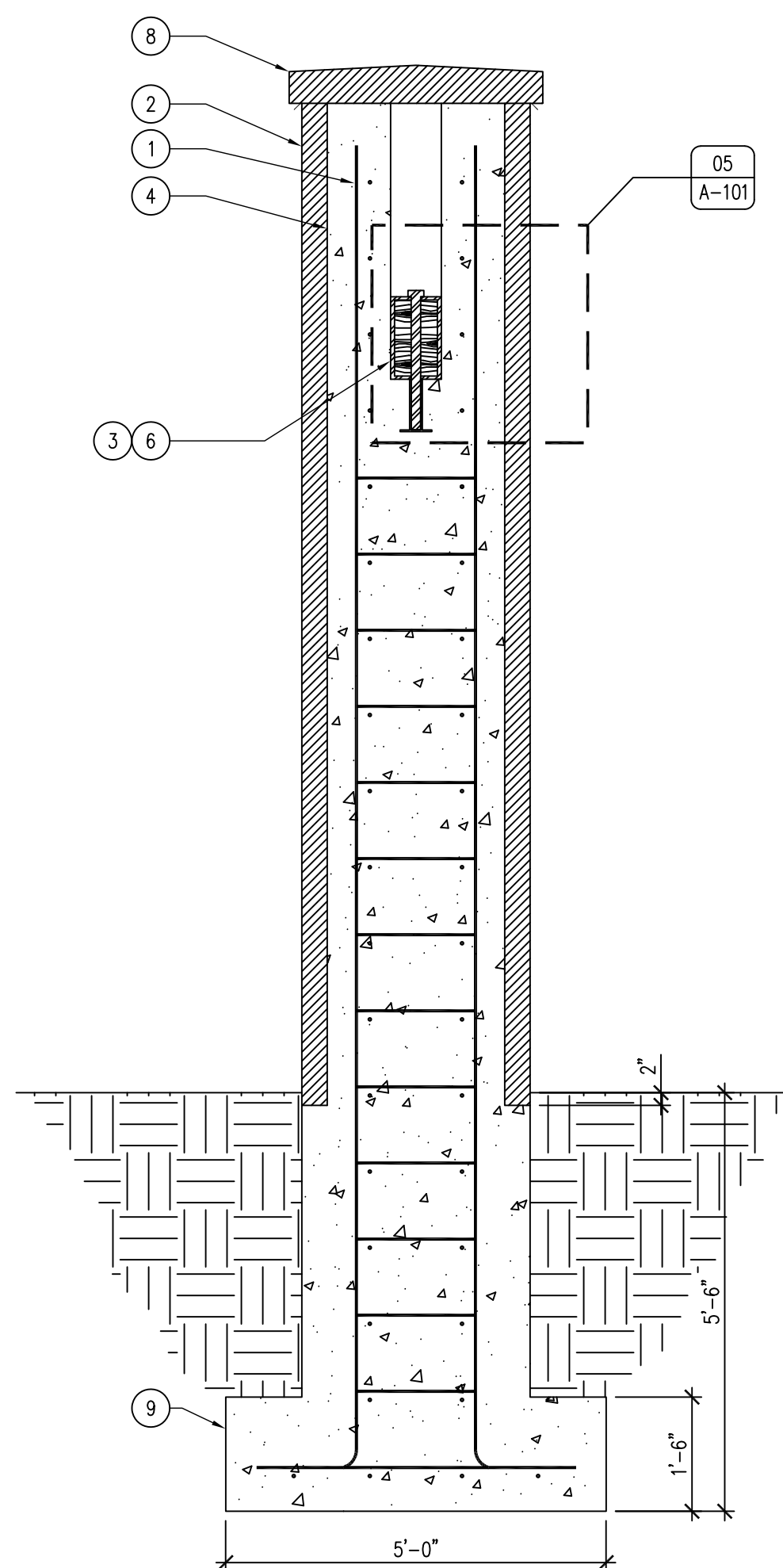
K.04



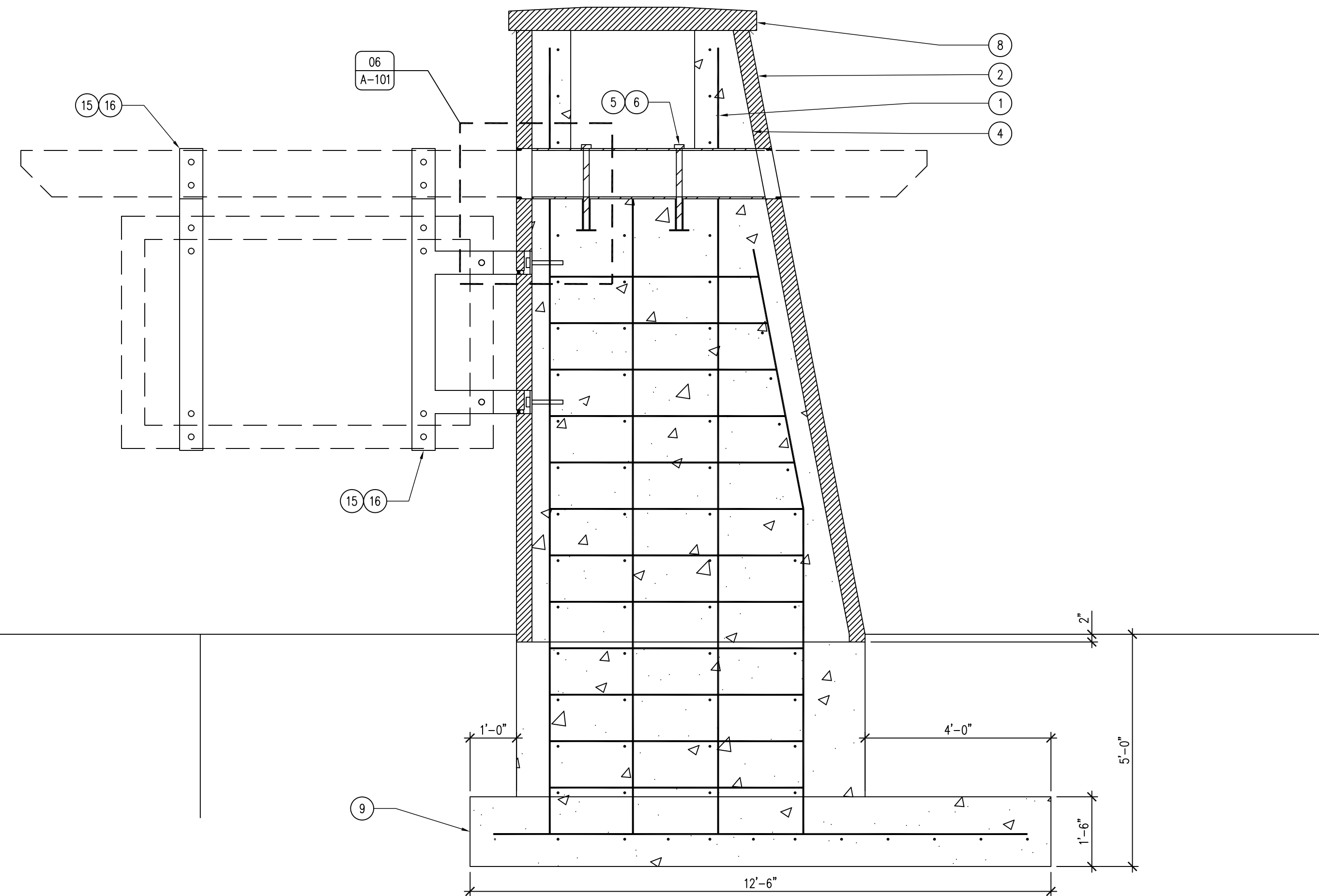
06 ENTRANCE PORTAL - DETAIL
SCALE: 3" = 1'-0"



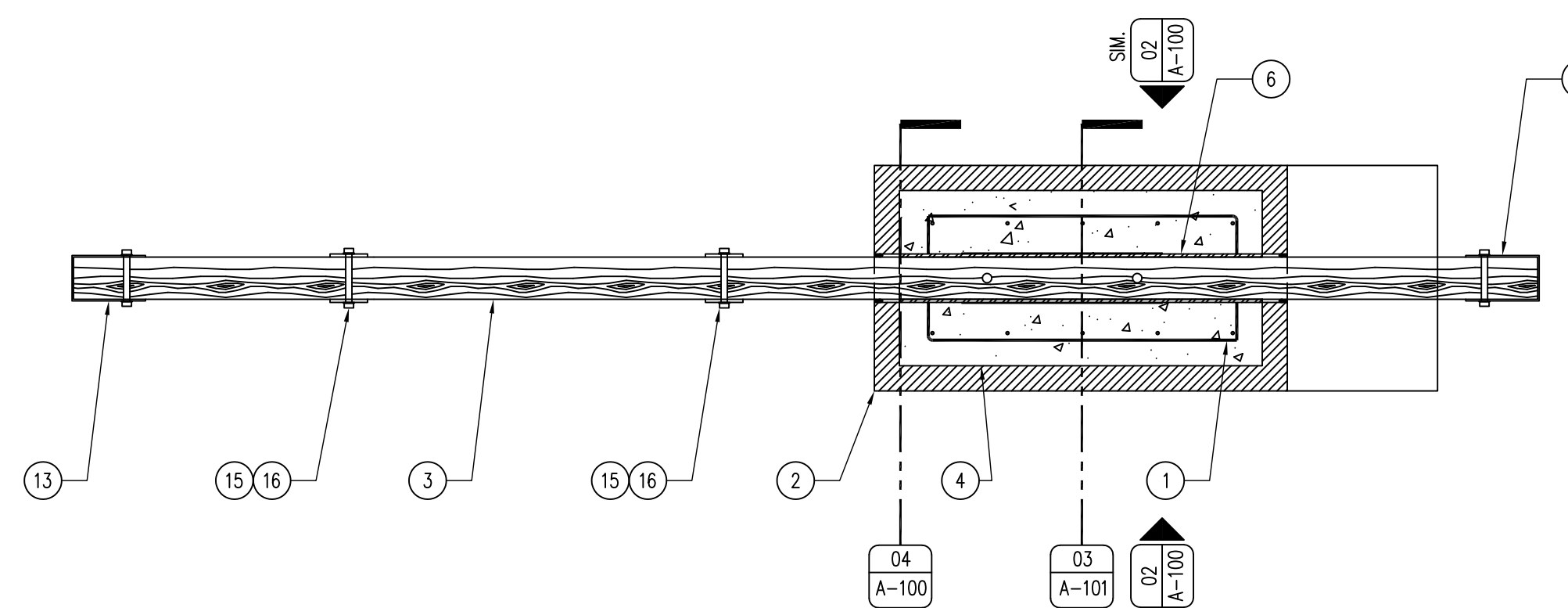
05 ENTRANCE PORTAL - DETAIL
SCALE: 3" = 1'-0"



03 ENTRANCE PORTAL - SECTION
SCALE: 1/2" = 1'-0"



02 ENTRANCE PORTAL - SECTION
SCALE: 1/2" = 1'-0"



01 ENTRANCE PORTAL - PLAN SECTION
SCALE: 1/2" = 1'-0"

04 NOT USED
SCALE:

KEYNOTES

1. #4 REBAR 24" O.C. ALL DIRECTIONS.
2. 3" - 6" THICK FULL VENEER, SOLID GRANITE BOULDERS BY EDEN STONE, ROUNDED SIDE OUT WITH ASTM 270 MORTAR, WHITE BASE - COLOR TBD. DIMENSIONS AND SHAPE SHOULD VARY BETWEEN 6" - 24" IN DIAMETER. PATTERNING SHOWN FOR DEMONSTRATION PURPOSES ONLY, REFER TO PATTERN SWATCH SHEET A-002, FOR MORE INFORMATION. ALL ANCHORS AND FASTENERS TO BE STAINLESS STEEL LOCATE AS REQUIRED. LOCATE WEEP HOLES/ROPES WHERE REQUIRED.
3. 6 3/4" X 12" EXTERIOR GRADE LAMINATED BEAM WITH 2 COATS TWP 100 SERIES STAIN FINISH, COLOR TBD. MATCH BEAM DEPTH DIMENSION AS SHOWN.
4. CAST IN PLACE SOLID CONCRETE WALL BACKER MONUMENT.
5. 3/8" STAINLESS STEEL THREADED PIN BOLT, PLACE INTO FEMALE THREADED ENDS.
6. 3/4" THICK STAINLESS STEEL BEAM RECEIVER SLEEVE, WITH FEMALE THREADED ENDS, AS SHOWN, CAST INTO CONCRETE MONUMENT.
7. 2" SIGN-FOAM STATE PARK SIGN, SUPPLIED BY OWNER, CONTRACTOR INSTALLED WITH 3/8" STAINLESS STEEL CARRIAGE BOLTS, NUTS AND FLAT STAINLESS WASHERS WHERE NECESSARY.
8. MONOLITHIC SELECT GRADE, GRAY INDIANA LIMESTONE CAP, DIMENSIONS AS SHOWN, WITH CONTINUOUS PERIMETER COPPER DRIP EDGE, SUBMIT SHOP DRAWINGS FOR APPROVAL.
9. CAST-IN-PLACE CONCRETE FOUNDATION.
10. COPPER FLASHING WHERE NECESSARY.

11. 2X T&G CEDAR DECKING, STAIN TO MATCH LAMINATED BEAM, TWO COATS TWP 100 SERIES. TRIM OUT WITH, 3/4" THICK X 1" EDGE, STEEL FRAMING AROUND ENTIRE PERIMETER OF WOOD. DRILL WEEP HOLES EVERY 12" IN BOTTOM, POWDER COAT BLACK.
12. 3/4" X 8" STAINLESS STEEL ANCHOR BOLTS.
13. 3/4" X 8" STEEL BEAM COVER AS SHOWN, POWDER COAT BLACK.
14. CONTINUOUS BACKER MATERIAL AND POLYURETHANE SEALANT, MATCH MORTAR COLOR.
15. 3/8" STAINLESS STEEL CARRIAGE BOLTS, NUTS AND LOCK WASHERS, DO NOT PAINT.
16. 3/8" STEEL STRAPPING/SIGN SUPPORT, POWDER COAT BLACK.

GENERAL NOTES

- A. ALL ELECTRICAL SHALL BE NEC CODE COMPLIANT AND ALL CODES AND ORDINANCES SHALL BE FOLLOWED WHICH ARE REQUIRED BY LAW.
- B. STOCKPILE SPOIL DIRT WITHIN PARK, LOCATION DETERMINED BY DNR INSPECTOR.
- C. FIELD VERIFY ALL DIMENSIONS PRIOR TO CONSTRUCTION.
- D. ALL FASTENERS, BRICK TIES AND ANCHORS TO BE STAINLESS STEEL. ALL DECORATIVE STEEL CAPS AND STRAPS TO BE POWDER COATED BLACK.
- E. ALL FLASHING TO BE 160Z COPPER.
- F. USE WEEP ROPE AT ALL NECESSARY LOCATIONS.
- G. ALL WOOD PRODUCTS TO RECEIVE TWO COATS OF TWP 100 SERIES STAIN.
- H. SUBMIT SHOP DRAWINGS ON STONE LAYOUT, REBAR LAYOUT, LIMESTONE CAPS, LAMINATED WOOD BEAM, STEEL STRAPPING AND ACCESSORIES AND SIGN BACKER.
- I. USE TYPE "N" MORTAR (ASTM C270) ON ALL MASONRY MORTAR JOINTS.

CONSULTANT:

IOWA DEPARTMENT OF
NATURAL RESOURCES
ENGINEERING SERVICES - WALLACE BUILDING
502 E. 9TH ST., DES MOINES, IA 50319-0034
P: 515.725.8200
F: 515.725.8202



PORTAL SECTIONS & DETAILS

CAMPGROUND RENOVATION AND ENTRANCE PORTAL FOR
LEDGES STATE PARK

MADRID, IA 50156

1515 P AVENUE

NO. BY DATE REVISION

DRAWN BY: PROJECT NUMBER:
17-02-08-02

CHK'D BY: DATE:
10.25.2017

SHEET NO:

K.05